

# OWNER'S MANUAL

**MODEL NO.  
625.343920**

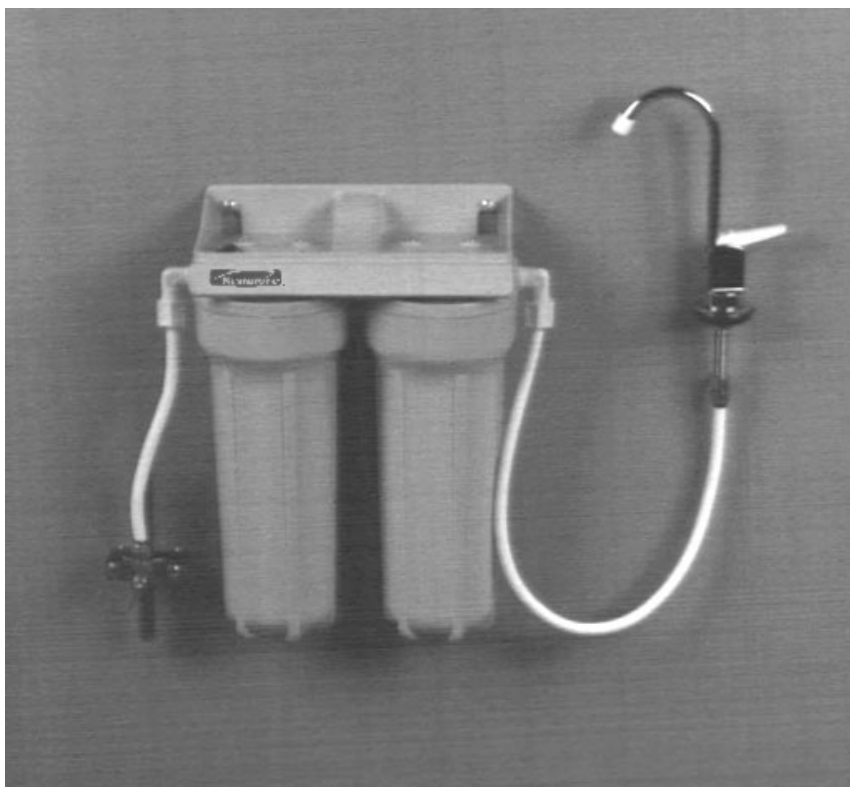
**625.343950  
(DELUXE)**

Caution:  
Read and Follow  
All Safety Rules,  
Installation and  
Operating  
Instructions  
Before First Use  
of This Product.

If you have questions  
when installing and us-  
ing your drinking water  
filter system, call this  
toll-free number...

**1 - 800 - 426 - 9345**

**SAVE THIS MANUAL**



## **UNDERSINK DRINKING WATER FILTER SYSTEM**

- ◆ Safety Guides
- ◆ Installation
- ◆ Operation
- ◆ Cartridge Replacement
- ◆ Repair Parts

## SAFETY GUIDES / SPECIFICATIONS

√ Please read this entire manual before installing and using your undersink drinking water filter system. Be sure to follow all guides and rules carefully. Failure to follow them could cause personal injury or property damage.

√ Check with your local public works department for plumbing codes. You must follow their guides as you install the undersink drinking water filter system.

√ Use the filter system on a potable, safe-to-drink, home COLD water supply

only. The filter cartridges will not purify water, or make it safe to drink. DO NOT use on HOT water (100°F, max.), microbiologically unsafe water, or on water of unknown quality.

√ Protect the drinking water filter system and piping from freezing. Water freezing in the system will break it.

√ Your undersink drinking water filter system will withstand up to 125 psi water pressure. If your house water supply pressure is higher than 100 psi, install a pressure reducing valve before the filter system.

Maximum Supply Water Pressure	125 psi
Min. – Max. Supply Water Temperature	40 – 100 °F
Inlet – Outlet	3/8" NPT, fittings and tubing included

### WARRANTY

#### FULL ONE YEAR WARRANTY ON UNDERSINK DRINKING WATER FILTER SYSTEM ( disposable filter cartridges not included)

For one year from the date of purchase, Sears will replace this Undersink Drinking Water Filter System (except filter cartridges, which are purchased separately), free of charge, if defective in material or workmanship.

WARRANTY IS AVAILABLE BY SIMPLY RETURNING THE WATER FILTER SYSTEM TO THE NEAREST SEARS STORE THROUGHOUT THE UNITED STATES.

This warranty gives you specific legal rights, and you may have other rights which vary from state to state.

Sears, Roebuck and Co., DEPT. 817 WA, Hoffman Estates, IL 60179

# TABLE OF CONTENTS

Water Treatment Filter Cartridges .....	3
Parts of the System / Typical Installation Drawing / Tools and Materials Needed .....	4
Drinking Water Filter System Installation .....	5 - 7
Installing Supply Saddle Valve .....	5
Installing Faucet .....	5 - 6
Installing Filter Cartridge .....	7
Using the Filtered Water System .....	8
Filter Cartridge Life / Replacement .....	8 - 9
Replacing the Electronic Base Batteries, Deluxe Model .....	9
Repair Parts .....	10 - 11

## WATER TREATMENT FILTER CARTRIDGES

Filter cartridges are available (not included with drinking water filter system) from Sears to remove sediments, tastes and odors, tastes, odors and chemical contaminants, and tastes, odors and lead.

Following is a list of filter cartridges available at the time of this printing. Shop your local Sears store for the current selection.

**(1) Sediment Filter Cartridge, Sears Item No. 42-34360 (25 micron), or (2) Item No. 42-34362 (5 micron):** Sediment cartridges remove sand, silt, clay, dirt, and other sediments from water. The 25 micron cartridge filters larger sediments from water, and allows higher flows at less pressure drop. The 5 micron cartridge filters finer sediments from water.

**Taste and Odor Cartridges:** Many bad tastes and/or odors are removed from water by an activated carbon cartridge. It is most often used to remove chlorine taste and smell, usually to a single faucet such as the kitchen cold.

*Note:* Small amounts of hydrogen sulfide (noticeable as “rotten egg” odor) may be reduced by taste and odor filters for a short time, quickly exhausting the carbon media. Consult your Sears store for proper continuous treatment.

Sears has several taste and odor filter cartridges available. These are:

- (3) Sears Item No. 42-34370:** for 95% chlorine reduction,
- and **(4) Sears Item No. 42-34372:** for 99% chlorine reduction
- (5) Sears Item No. 42-34377:** for 99% chlorine reduction, *plus* 95% lead reduction
- (6) Sears Item No. 42-34365:** for 99% chlorine reduction, *plus* chemical contaminants

You can customize your filter system to the specific treatment needs of your water supply. Use the same type of filter cartridge in both Filter I and Filter II to maximize treatment for a specific water problem. Or, use any combination of cartridges to treat more than one problem. When using 2 different cartridges, place in Filter I and Filter II as follows for maximum affect.

**GUIDELINE FOR CARTRIDGE PLACEMENT**

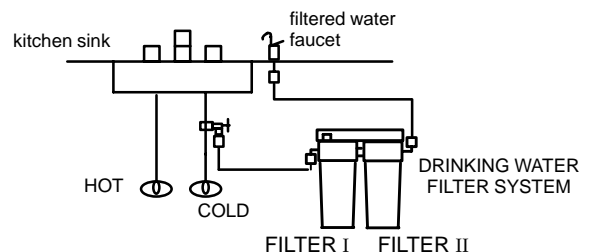
When using 2 different cartridges, of the 6 depicted below, always place the lowest numbered cartridge in Filter I, and the highest numbered in Filter II. For example, if you select a 5 micron sediment cartridge (2), and a taste & odor plus lead cartridge (5), the sediment cartridge goes into Filter I.

SEDIMENT		TASTE AND ODOR			
(1)	(2)	(3)	(4)	(5)	(6)
25 Mic. 34360	5 Mic. 34362	95% 34370	99% 34372	LEAD 34377	CHEM. 34365

*Note:* The numbers (5) and (6) cartridges above both have built-in restrictors to control water flow rate for maximum filtering. You will notice reduced flow from the faucet when using either or both cartridges.

*Locate* the water filter housing on the **cold** water supply pipe, under the kitchen and/or bathroom sink, to filter the cold drinking water. Refer to the following drawing.

### FILTERING WATER TO ONE FAUCET



## PARTS OF THE SYSTEM

- ✓ filter system assembly, including mounting bracket and screws
  - ✓ water supply saddle valve
  - ✓ filtered water faucet, for sink or countertop mounting
- Note:* Deluxe models include an electronic indicator faucet base and battery pack.
- ✓ 3/8" tubing and fittings to make all needed connections
  - ✓ Teflon tape for fittings

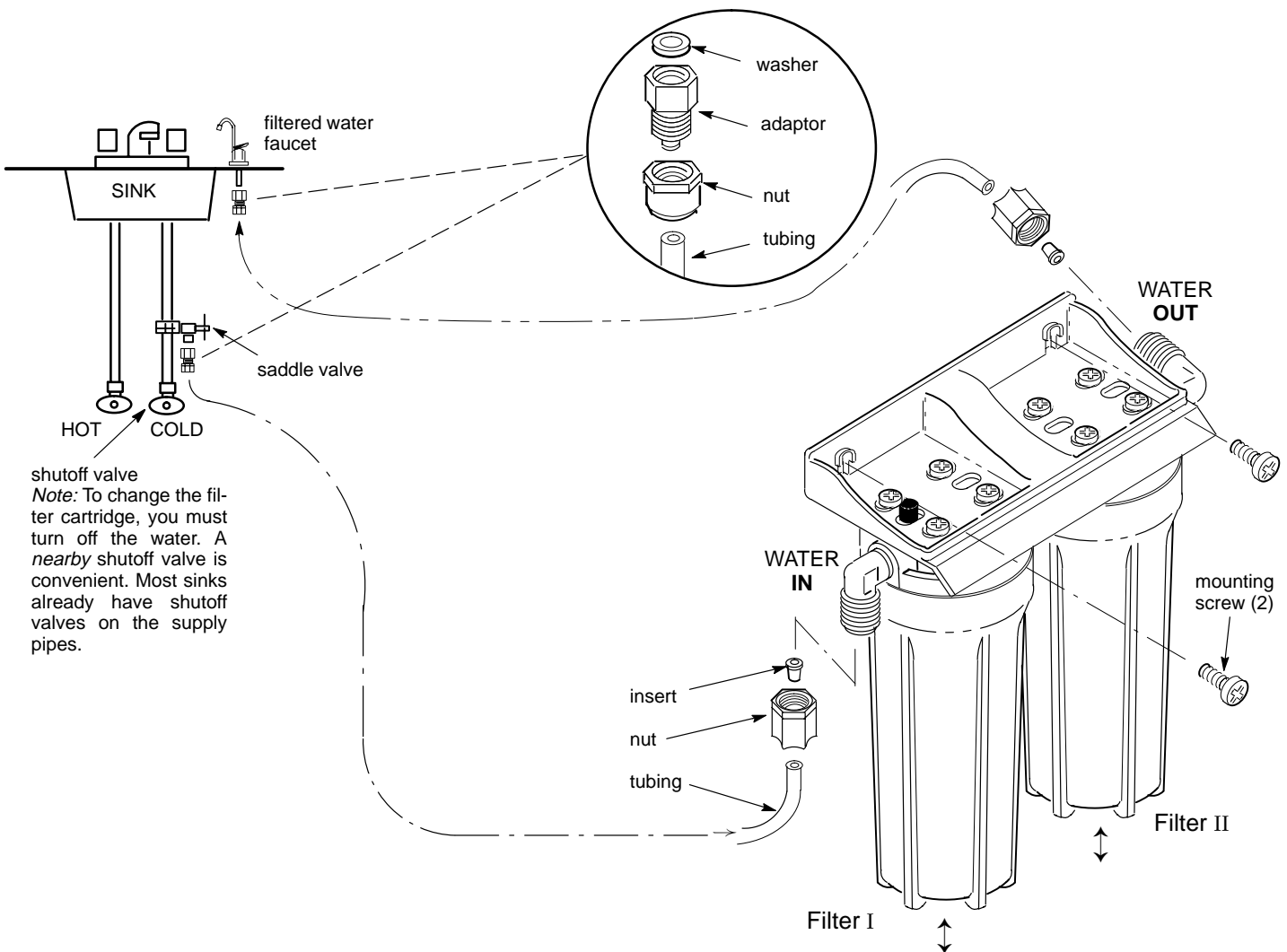
## MATERIALS AND TOOLS NEEDED

- plumbers putty
- slotted and Phillips screwdrivers
- pliers and adjustable jaw wrench
- hand or battery powered drill and 1/8" bit (if needed for saddle valve installation, see page 5)
- electric drill and 3/4" bit (type as required) if mounting hole is needed for the faucet, see pages 5 and 6

**CAUTION: To avoid damaging the sink,** consult a qualified plumber or installer for drilling procedures in porcelain or stainless steel.

## TYPICAL UNDERSINK INSTALLATION

**FIG. 1**



shutoff valve  
*Note:* To change the filter cartridge, you must turn off the water. A nearby shutoff valve is convenient. Most sinks already have shutoff valves on the supply pipes.

*Note:* Be sure to allow a minimum space of 1-1/2" under the system for removing the sumps, to change the cartridges.

## INSTALLATION STEPS

### STEP 1 – WATER SUPPLY SADDLE VALVE

Check and comply with local plumbing codes before you install a cold water supply fitting. The special self-tapping (into copper) saddle valve included installs as follows. Locate the valve on the **cold** water pipe to the kitchen sink, as shown in FIG. 1.

*Note:* This valve has a cutting pin and it will pierce a hole in copper tubing or plastic pipe. If installing on iron pipe, you have to drill a 1/8" hole for the piercing pin (**read danger note below**).

**DANGER (IF DRILLING METAL PIPE):** To protect yourself from **serious injury** or **fatal shock**, use a battery powered hand drill only to make the hole. **Do not use an electric drill.**

**1. Be sure to turn off water to the pipe and to drain water from it before drilling.**

*Note:* If the sink faucet is a single lever, mixing type, **also close the shutoff valve on the hot water side.**

**2.** Looking at FIG. 2, turn the valve into clamp A and tighten (may be preassembled). Turn the valve handle all the way out.

*Note:* If you need to drill a 1/8" dia. hole, Hold clamp A up to the pipe and mark the spot to drill. First, **read the danger note above.**

**3.** Place the seal on the inside of clamp A as shown. **Be sure the piercing pin does not stick out beyond the seal.** (If you drilled the hole, turn the piercing pin out enough to align with it.)

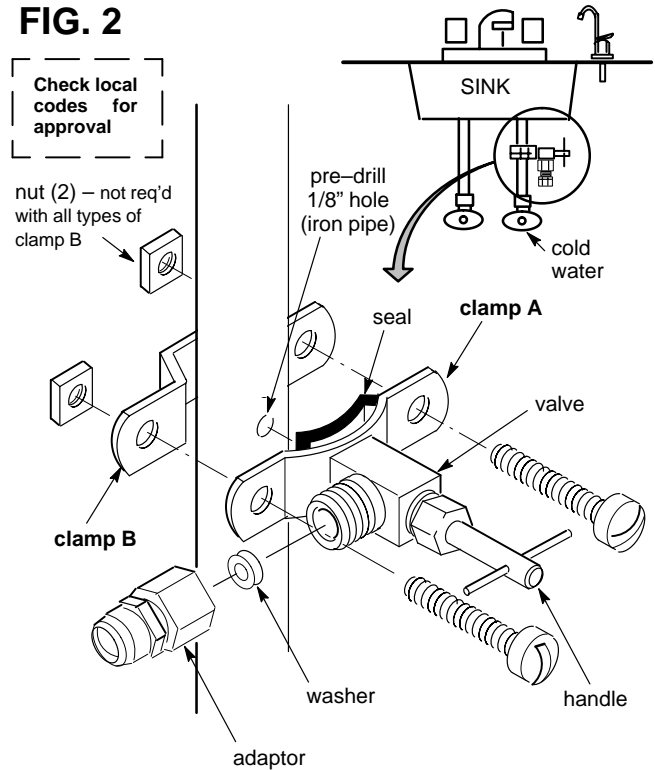
**4.** Place clamp A and B around the pipe and secure in place with 2 screws. Tighten both screws evenly, but do not overtighten and crush the pipe.

**5.** Carefully turn the handle all the way inward to pierce a hole in the copper or plastic pipe.

**6.** Put a few wraps of Teflon tape on the valve body threads. Then, with the washer in place, turn the tubing adaptor onto the valve and tighten securely.

*Note:* Be sure the valve packing nut is tightened. **Do not** turn on the water supply at this time.

**FIG. 2**



### STEP 2 – MAKE HOLE FOR FILTERED WATER FAUCET

Select 1 of the following places to install the faucet. Be sure there's room underneath so you can make the needed connections. If you are installing the deluxe model, be sure the electronic indicator base will fit flat against the surface.

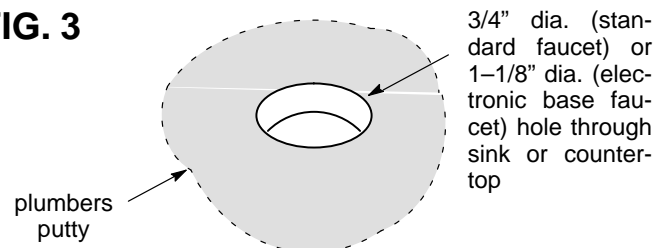
- In an existing sink spray attachment hole.
- Drill a hole in the sink top.
- Drill a hole in the countertop, next to the sink.

**1.** If drilling is needed, make a 3/4" dia. (minimum) hole for the standard faucet. The faucet with the electronic indicator base requires a 1-1/8" dia. hole.

**CAUTION:** To avoid damaging the sink, consult a qualified plumber or installer for drilling procedures in porcelain or stainless steel. Special drill bits are made for this.

**2.** Place plumbers putty around the drilled hole, to prevent water leaks around the faucet.

**FIG. 3**



# INSTALLATION STEPS

## STEP 3 – ASSEMBLE AND INSTALL FAUCET

*Note:* If the faucet is not assembled, slide the lever over the cylindrical nut. Then, push or turn the spout into the faucet body.

### 1. Standard Faucet, FIG. 4A:

**A.** Slide the chrome washer, *large* rubber washer and lock washer, in that order, onto the faucet stud.

**B.** Put a few wraps of Teflon tape on the end of the faucet stud. Using the washer, turn the tubing adaptor onto the faucet stud and tighten securely.

**C.** On the underside of the sink or countertop, insert the large steel washer between the lock washer and the bottom of the sink or countertop. Then, tighten the hex nut securely.

**D.** Insert the faucet stud through the mounting hole.

### 2. Electronic Base Faucet, FIG. 4B:

**A.** Slide the *small* rubber washer and electronic indicator base onto the faucet stud. Turn on and tighten the hex nut, **but do not overtighten and break the base.**

**B.** Put a few wraps of Teflon tape on the end of the faucet stud. Using the washer, turn the tubing adaptor onto the faucet stud and tighten securely.

**C.** Looking at FIG. 4C, locate the faucet support and gasket over the sink or countertop mounting hole. (First, break out the small button and save for use in step G below.)

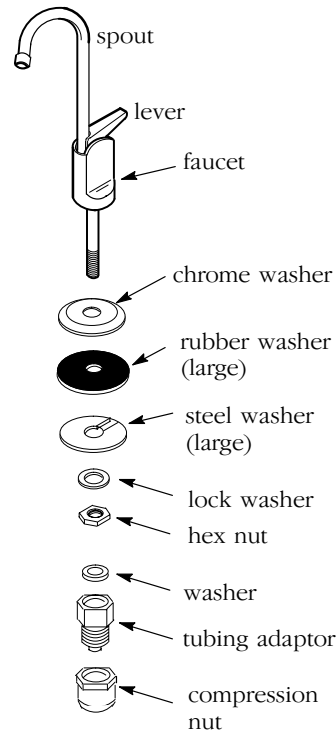
**D.** Turn the special nuts (FIG. 4D) a few turns onto the 1-3/8" long screws.

**E.** Place a screw into a notch in the faucet support, with the special nut on the underside of the mounting hole (FIG. 4E). Use a finger to hold the nut while tightening the screw until snug. Repeat with the remaining screw and special nut. Be sure the support is positioned correctly, then tighten both screws evenly so the support is held firmly in place.

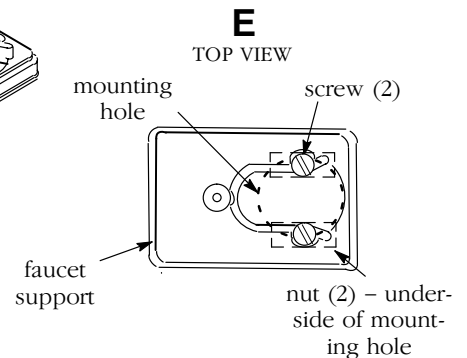
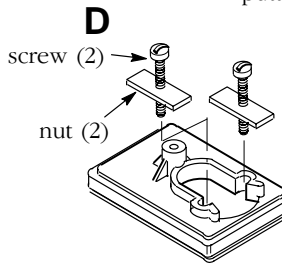
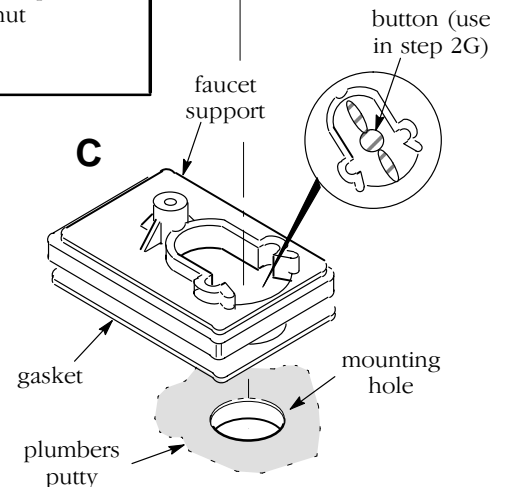
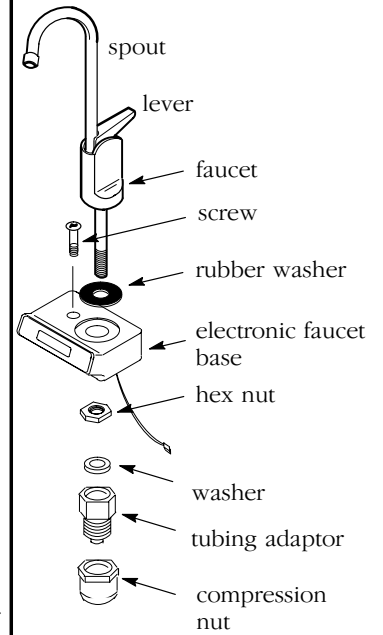
**F.** Insert the faucet stud and base leadwire through the support and mounting hole.

**G.** Lower the faucet and base down onto the support, being careful not to pinch the leadwire. Use the 5/8" long screw to fasten the faucet base and support together. Insert the button (from step C) into the hole to cover the screw.

**FIG. 4**  
**A**  
**MODEL 625.343920**



**B**  
**DELUXE**  
**MODEL 625.343950**



## INSTALLATION STEPS

### STEP 4 – MAKE TUBING CONNECTIONS

1. Allowing some slack, measure and cut a length of 3/8" tubing to connect between the tubing adaptor, at the supply saddle valve, and the filter system inlet, FIG. 1. Cut the ends of the tubing square.
2. Slide a compression nut *onto* both ends of the tub-

ing. At the filter system end, push a tubing insert *into* the tubing.

3. Connect the tubing and tighten the compression nuts securely.
  4. Repeat steps 2 and 3 to connect tubing between the filter system outlet and the adaptor on the bottom of the faucet stud, FIG. 1.
- 

### STEP 5 – BATTERY PACK INSTALLATION AND CONNECTION, DELUXE MODEL ONLY

1. In a dry location, within reach of the electronic base 3 ft. leadwire, select a place for the battery pack (see FIG. 1). The battery pack attaches to most surfaces with a “sticky-back” Velcro strip.

2. The battery pack uses 2, size AA batteries. Check to be sure they are installed correctly. Then, remove the paper backing on the Velcro strip and secure in place.

3. Fasten the electronic base leadwire connector and battery pack connector together.
- 

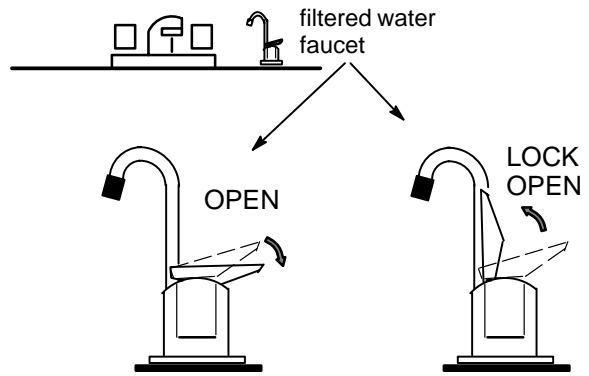
### STEP 6 – FILTER CARTRIDGE INSTALLATION

Turn to page 9 and follow all steps under “Filter Cartridge Replacement”.

## USING THE SYSTEM

The sink or countertop faucet vends the filtered water when opened. It has a hand operated, spring loaded closed lever to prevent waste. You can also keep the faucet open by pushing upward on the lever and locking it against the faucet spout.

The deluxe model includes an electronic base to show you when to replace the filter cartridges (see below).



## FILTER CARTRIDGE / USEFUL LIFE / REPLACEMENT

### FILTER CARTRIDGE LIFE

Several variables determine how long a cartridge will last. These include:

1. how much water you use
2. how much sediment, taste and/or odor, or other unwanted substance, is in the water

Use the following information as a guide. However, no matter which type of cartridge you are using, you will know **it is time to replace it when you first notice the return of the unwanted substance in your water.**

**Sediment Cartridges:** Average cartridge life, when filtering water to 1 faucet, is about 6 months. This average time varies depending on the type of sediment cartridge.

Filtering sediments, you will know it's time to replace the cartridge when water pressure to the faucet drops.

**Taste and Odor Cartridges:** Filtering water to a single faucet, the filter cartridge may last for 6 months or more. If the cartridge is also for lead or chemical contaminant removal, it is more important to replace it frequently.

**ELECTRONIC INDICATOR FAUCET BASE, Deluxe model only:** The electronic indicator is a 6 month timer that shows you the current status and when to replace the filter cartridges.

When the battery pack is first installed and connected, the base indicator quickly passes through a test by lighting all words and bar segments. Then, the words, FILTERS OK, and 6 bar segments stay on. If not, the batteries are installed backwards, or the leadwires are not connected.

After *about* 1 month, 1 of the 6 bar segments goes off. After 2 months of use, a second bar goes off. Three bars remain on after 3 months. Finally, after about 6 months, all bars are off and FILTERS CHANGE flashes. It is time to replace the filter cartridges.

When replacing the filter cartridges, also replace the batteries in the battery pack. See step 11, page 9.

### FILTER CARTRIDGE STATUS

NEW	FILTERS OK -----
AFTER ABOUT 1 MONTH	FILTERS OK -----
AFTER ABOUT 2 MONTHS	FILTERS OK -----
AFTER ABOUT 3 MONTHS	FILTERS OK -----
AFTER ABOUT 4 MONTHS	FILTERS OK -----
AFTER ABOUT 5 MONTHS	FILTERS OK -----
AFTER ABOUT 6 MONTHS	FILTERS CHANGE



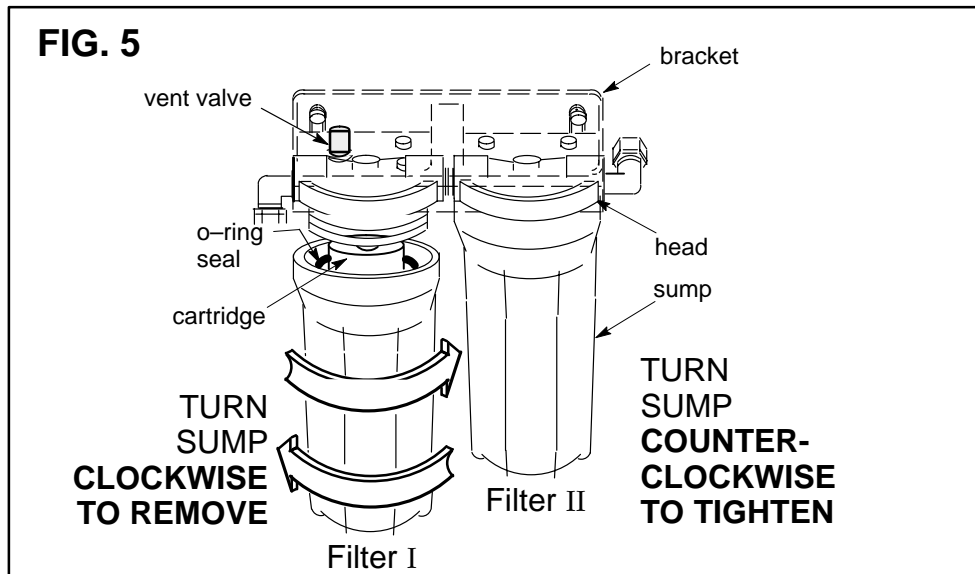
## FILTER CARTRIDGE REPLACEMENT

**CAUTION:** Never remove sumps with water pressure in the filter system.

**1. Close the water supply saddle valve (FIG. 1 and 2) to the filter. Press the vent valve on the top of the head to relieve pressure in the system, FIG. 5, or open the filtered water faucet.**

**2. Turn the sump off of the filter head, to the left or clockwise. Be careful, the sump is full of water. Do not lose the large o-ring seal.**

Note: A **special wrench** is available from Sears for removing the sump. See the parts list on page 11.



**3.** Be sure the inside of the sump is clean. Cleaners are available from Sears (see the parts list on page 11), or use hot, soapy water.

**4.** Remove the wrapper from the new filter cartridge and insert the filter cartridge in the sump. Some cartridges fit either way, while others fit only one way. Observe markings on the cartridge, or on the wrapper.

*Note:* If you are installing 2 different types of filter cartridges, be sure to install in filters I and II as the guideline on page 3 shows.

**5.** Lightly lubricate the o-ring seal, in the sump, with silicone grease or Vaseline. Be sure it is fully seated in its groove.

**6.** Hold the sump up to the filter head, aligning the center hole in the cartridge with the protrusion on the bottom of the head.

*Note:* If the sump will not tighten up to the head, you may have the cartridge in upside down. Take the cartridge out and check for correct orientation.

**7.** Being careful not to cross-thread, turn (counter-clockwise) the sump onto the filter head and tighten securely.

**8. Repeat steps 2 through 7 at the other filter.**

**9.** Open the filtered water faucet. **Then,** slowly open the water supply saddle valve and allow the filter housing to fill. While it is filling, press the filter vent valve to release air in the filter.

**10.** Close the filtered water faucet. Then, check for leaks between the sump and the head.

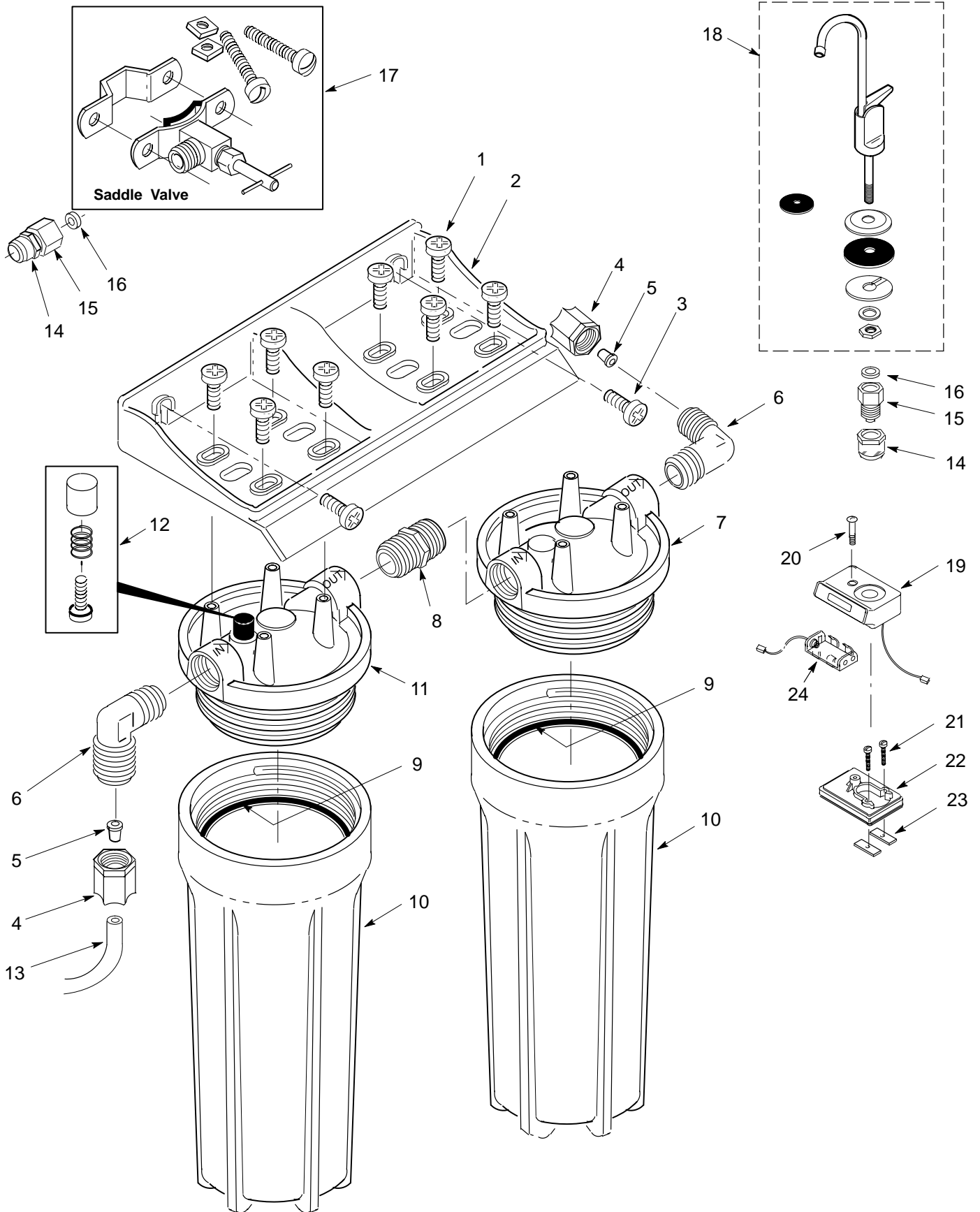
*Note:* **If leaking,** turn off the water supply and open the filtered water faucet, or press the vent valve, to depressurize the filter. Then, disassemble the filter and check the o-ring for cuts, flat spots, etc., and sealing surfaces for foreign material. Clean the o-ring and lubricate with silicone grease or Vaseline. Carefully press into the groove in the sump.

**11. On deluxe models** with the electronic base, remove and install 2 new AA alkaline batteries in the battery pack. Removing the batteries, or momentarily disconnecting the leadwires, **resets the 6 month electronic base timer.**

**12. Taste and Odor Cartridges:** A taste and odor cartridge contains activated carbon, a black powder. When new, open the filtered water faucet and allow fine, harmless carbon particles to purge from the cartridge. Close the faucet when you no longer see the "fines" in the filtered water.

# REPAIR PARTS

Kenmore Undersink Drinking Water Filter System, Model No. 625.343920  
Kenmore Deluxe Undersink Drinking Water Water Filter System, Model No. 625.343950



## REPAIR PARTS LIST

KEY NO.	PART NUMBER		DESCRIPTION
	Model No. 625.343920	Model No. 625.343950	
1	7160453	7160453	Screw, #10 – 14 x 3/4" (8 req.)
2	7182502	7182502	Mounting Bracket (includes screws)
3	9006053	9006053	Screw, #10 – 14 x 1-1/4" (2 req.)
4	9003203	9003203	Nut, 3/8" Tube (2 req.)
5	7131349	7131349	Tubing Insert, 3/8" (2 req.)
6	9004503	9004503	Elbow, 3/8" NPT x 3/8" Tube (2 req.)
7	7156535	7156535	Head
8	7161255	7161255	Nipple, 3/8" NPT x 1 – 1/2"
9	42–34385	42–34385	O–ring, 3–3/8" I.D. x 3–5/8" O.D. (2 req.)
10	7156577	7156569	Sump (2 req.)
11	7160437	7160437	Head Assembly – includes vent assembly
12	7164936	7164936	Vent Assembly
13	7174961	7174961	Tubing, 3/8" x 90"
14	9043201	9043201	Nut, 3/8"
15	7064144	7064144	Tubing Adaptor – incl. key nos. 14 & 16 (2 req.)
16	1260600	1260600	Washer
17	7011272	7011272	Supply Saddle Valve
18	7161263	7161263	Faucet Assembly
19	—	7161352	Electronic Base – incl. key nos. 20 through 23
20	—	0900156	Screw, #6 – 32 x 5/8"
21	—	0900713	Screw, #6 – 32 x 1 – 3/8" (2 req.)
22	—	7163469	Faucet Support – incl. cover for screw, key no. 20
23	—	7115725	Nut (2 req.)
24	—	7162552	Battery Pack – does not include batteries ①
◆	7182586	7182586	Owners Manual
♣	42–34360	42–34360	Sediment Cartridge, 25 micron
♣	42–34362	42–34362	Sediment Cartridge, 5 micron
♣	42–34370	42–34370	Taste & Odor Cartridge, 95% chlorine reduction
♣	42–34372	42–34372	Taste & Odor Cartridge, 99% chlorine reduction
♣	42–34365	42–34365	Taste & Odor / Chemical Contaminate Cartridge
♣	42–34377	42–34377	Taste & Odor / Lead Cartridge
♣	42–34330	42–34330	Sump Cleaning Kit
♣	42–34331	42–34331	Sump Cleaning Solution
♣	42–34334	42–34334	Sump Removal Wrench

◆ not illustrated

♣ available options from Sears at time of this printing, not illustrated, and not included with Water Filter System

① requires 2, AA alkaline batteries

## OWNERS MANUAL

**MODEL NO.**  
**625.343920**  
**625.343950 Deluxe**

The model number of your drinking water filter system is found on the rating decal, on the mounting bracket .

When requesting service or ordering parts, always provide the following information:

- ◆ Product Type
- ◆ Model Number
- ◆ Part Number
- ◆ Part Description



# UNDERSINK DRINKING WATER FILTER SYSTEM

**For the repair or replacement parts you need**

Call 7 am – 7 pm, 7 days a week

**1 – 800 – 366 – PART**

(1 – 800 – 366 – 7278)

**For in-home major brand repair service**

Call 24 hours a day, 7 days a week

**1 – 800 – 4 – REPAIR**

(1 – 800 – 473 – 7247)

**For the location of a  
Sears Repair Service Center in your area**

Call 24 hours a day, 7 days a week

**1 – 800 – 488 – 1222**

**For information on purchasing a Sears  
Maintenance Agreement, or to inquire  
about an existing Agreement**

Call 9 am – 5 pm, Monday – Saturday

**1 – 800 – 827 – 6655**